

# FAN7602C

## Green Current Mode PWM Controller

### Features

- Green Current Mode PWM Controller
- Random Frequency Fluctuation for Low EMI
- Internal High-Voltage Startup Switch
- Burst Mode Operation
- Line Voltage Feedforward to Limit Maximum Power
- Line Under-Voltage Protection
- Latch Protection & Internal Soft-Start (10ms) Function
- Overload Protection
- Over-Voltage Protection
- Over-Temperature Protection
- Low Operation Current: 1mA Typical
- 8-Pin DIP/SOP

### Applications

- Adapter
- LCD Monitor Power
- Auxiliary Power Supply

### Related Resources

- [AN-6014- Green Current Mode PWM Controller](#)  
(Except for frequency fluctuation part in AN-6014)

### Description

The FAN7602C is a green current-mode PWM controller. It is specially designed for off-line adapter applications; DVDP, VCR, LCD monitor applications; and auxiliary power supplies.


The internal high-voltage startup switch and the burst mode operation reduce the power loss in standby mode. As a result, the input power is lower than 1W when the input line voltage is 265V<sub>AC</sub> and the load is 0.5W. At no-load condition, input power is under 0.15W.

The maximum power can be limited constantly, regardless of the line voltage change, using the power limit function.

The switching frequency is not fixed and it has random frequency fluctuation.

The FAN7602C includes various protections for the system reliability and the internal soft-start prevents the output voltage over-shoot at startup.

### Ordering Information

| Part Number | Operating Junction Temperature |  Eco Status | Package | Packing Method | Top Mark |
|-------------|--------------------------------|------------------------------------------------------------------------------------------------|---------|----------------|----------|
| FAN7602CN   | -40°C to +150°C                | RoHS                                                                                           | 8-DIP   | Rail           | FAN7602C |
| FAN7602CM   |                                |                                                                                                | 8-SOP   | Rail           | FAN7602C |
| FAN7602CMX  |                                |                                                                                                |         | Tape and Reel  | FAN7602C |

 For Fairchild's definition of Eco Status, please visit: [http://www.fairchildsemi.com/company/green/rohs\\_green.html](http://www.fairchildsemi.com/company/green/rohs_green.html).

### Typical Application Diagram

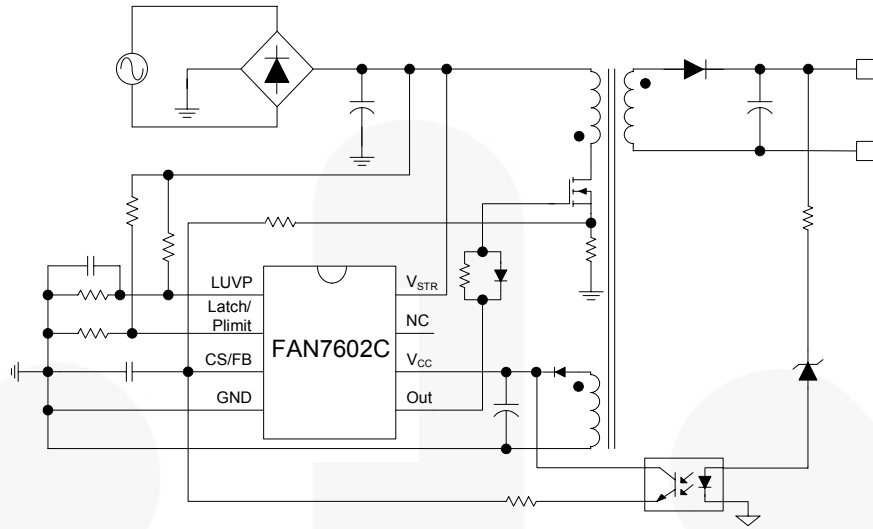


Figure 1. Typical Flyback Application

### Internal Block Diagram

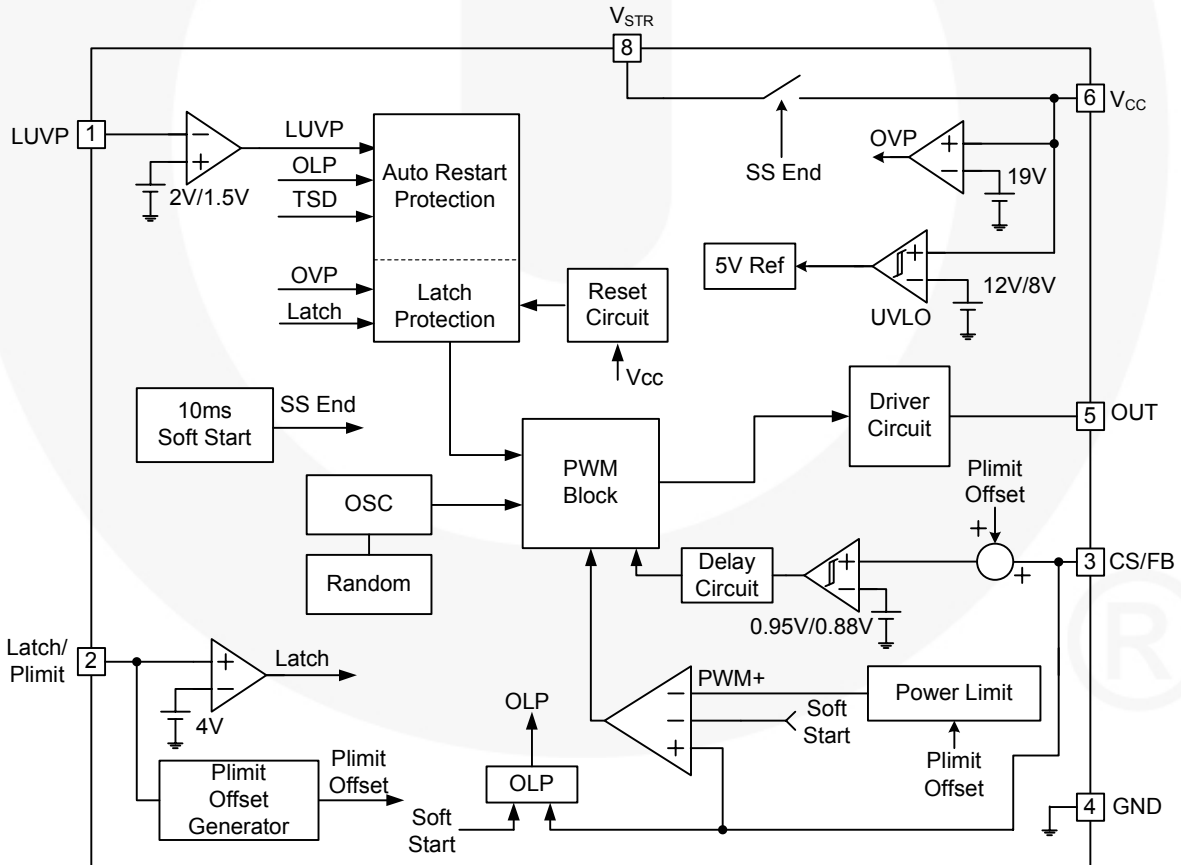


Figure 2. Functional Block Diagram

## Pin Configuration

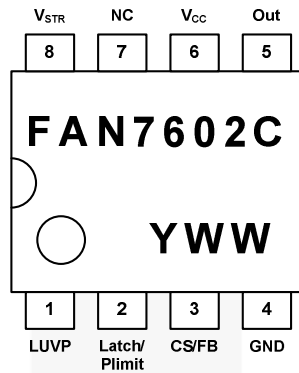


Figure 3. Pin Configuration (Top View)

## Pin Definitions

| Pin # | Name             | Description                                                                                                                                                                                                                                                                    |
|-------|------------------|--------------------------------------------------------------------------------------------------------------------------------------------------------------------------------------------------------------------------------------------------------------------------------|
| 1     | LUVP             | <b>Line Under-Voltage Protection Pin.</b> This pin is used to protect the set when the input voltage is lower than the rated input voltage range.                                                                                                                              |
| 2     | Latch/Plimit     | <b>Latch Protection and Power Limit Pin.</b> When the pin voltage exceeds 4V, the latch protection works. The latch protection is reset when the V <sub>CC</sub> voltage is lower than 5V. For the power limit function, the OCP level decreases as the pin voltage increases. |
| 3     | CS/FB            | <b>Current Sense and Feedback Pin.</b> This pin is used to sense the MOSFET current for the current mode PWM and OCP. The output voltage feedback information and the current sense information are added using an external RC filter.                                         |
| 4     | GND              | <b>Ground Pin.</b> This pin is used for the ground potential of all the pins. For proper operation, the signal ground and the power ground should be separated.                                                                                                                |
| 5     | OUT              | <b>Gate Drive Output Pin.</b> This pin is an output pin to drive an external MOSFET. The peak sourcing current is 450mA and the peak sinking current is 600mA. For proper operation, the stray inductance in the gate driving path must be minimized.                          |
| 6     | V <sub>CC</sub>  | <b>Supply Voltage Pin.</b> IC operating current and MOSFET driving current are supplied using this pin.                                                                                                                                                                        |
| 7     | NC               | <b>No Connection.</b>                                                                                                                                                                                                                                                          |
| 8     | V <sub>STR</sub> | <b>Startup Pin.</b> This pin is used to supply IC operating current during IC startup. After startup, the internal JFET is turned off to reduce power loss.                                                                                                                    |

## Absolute Maximum Ratings

Stresses exceeding the absolute maximum ratings may damage the device. The device may not function or be operable above the recommended operating conditions and stressing the parts to these levels is not recommended. In addition, extended exposure to stresses above the recommended operating conditions may affect device reliability. The absolute maximum ratings are stress ratings only.

| Symbol      | Parameter                                  | Min.                              | Max. | Unit |    |
|-------------|--------------------------------------------|-----------------------------------|------|------|----|
| $V_{CC}$    | Supply Voltage                             |                                   | 25   | V    |    |
| $I_O$       | Output Current                             | -600                              | +450 | mA   |    |
| $V_{CS/FB}$ | CS/FB Input Voltage                        | -0.3                              | 20   | V    |    |
| $V_{LUVP}$  | LUVP Input Voltage                         | -0.3                              | 10   | V    |    |
| $V_{LATCH}$ | Latch/Plimit Input Voltage                 | -0.3                              | 10   | V    |    |
| $V_{STR}$   | $V_{STR}$ Input Voltage                    |                                   | 600  | V    |    |
| $T_J$       | Junction Temperature                       |                                   | +150 | °C   |    |
|             | Recommended Operating Junction Temperature | -40                               | +150 |      |    |
| $T_{STG}$   | Storage Temperature Range                  | -55                               | +150 | °C   |    |
| $P_D$       | Power Dissipation                          |                                   | 1.2  | W    |    |
| ESD         | Electrostatic Discharge Capability         | Human Body Model, JESD22-A114     |      | 3.5  | kV |
|             |                                            | Charged Device Model, JESD22-C101 |      | 2.0  |    |

## Thermal Impedance

| Symbol        | Parameter                                               | Value | Unit |      |
|---------------|---------------------------------------------------------|-------|------|------|
| $\theta_{JA}$ | Thermal Resistance <sup>(1)</sup> , Junction-to-Ambient | 8-DIP | 100  | °C/W |

### Note:

- Regarding the test environment and PCB type, please refer to JESD51-2 and JESD51-10.

## Electrical Characteristics

$V_{CC} = 14V$ ,  $T_A = -25^{\circ}C \sim 125^{\circ}C$ , unless otherwise specified.

| Symbol                                | Parameter                                  | Condition                                     | Min. | Typ.    | Max. | Unit    |
|---------------------------------------|--------------------------------------------|-----------------------------------------------|------|---------|------|---------|
| <b>Startup Section</b>                |                                            |                                               |      |         |      |         |
| $I_{STR}$                             | $V_{STR}$ Startup Current                  | $V_{STR} = 30V$ , $T_A = 25^{\circ}C$         | 0.7  | 1.0     | 1.4  | mA      |
| <b>Under Voltage Lock Out Section</b> |                                            |                                               |      |         |      |         |
| $V_{th(start)}$                       | Start Threshold Voltage                    | $V_{CC}$ Increasing                           | 11   | 12      | 13   | V       |
| $V_{th(stop)}$                        | Stop Threshold Voltage                     | $V_{CC}$ Decreasing                           | 7    | 8       | 9    | V       |
| $HY(uvlo)$                            | UVLO Hysteresis                            |                                               | 3.6  | 4.0     | 4.4  | V       |
| <b>Supply Current Section</b>         |                                            |                                               |      |         |      |         |
| $I_{ST}$                              | Startup Supply Current                     | $T_A = 25^{\circ}C$                           |      | 250     | 320  | $\mu A$ |
| $I_{CC}$                              | Operating Supply Current                   | Output Not Switching                          |      | 1.0     | 1.5  | mA      |
| <b>Soft-Start Section</b>             |                                            |                                               |      |         |      |         |
| $t_{SS}$                              | Soft-Start Time <sup>(2)</sup>             |                                               | 5    | 10      | 15   | ms      |
| <b>PWM Section</b>                    |                                            |                                               |      |         |      |         |
| $f_{OSC}$                             | Operating Frequency                        | $V_{CS/FB} = 0.2V$ , $T_A = 25^{\circ}C$      | 59   | 65      | 73   | kHz     |
| $\Delta f_{OSC}$                      | Frequency Fluctuation <sup>(2)</sup>       |                                               |      | $\pm 3$ |      | kHz     |
| $V_{CS/FB1}$                          | CS/FB Threshold Voltage                    | $T_A = 25^{\circ}C$                           | 0.9  | 1.0     | 1.1  | V       |
| $t_D$                                 | Propagation Delay to Output <sup>(2)</sup> |                                               |      | 100     | 150  | ns      |
| $D_{MAX}$                             | Maximum Duty Cycle                         |                                               | 70   | 75      | 80   | %       |
| $D_{MIN}$                             | Minimum Duty Cycle                         |                                               |      |         | 0    | %       |
| <b>Burst Mode Section</b>             |                                            |                                               |      |         |      |         |
| $V_{CS/FB2}$                          | Burst On Threshold Voltage                 | $T_A = 25^{\circ}C$                           | 0.84 | 0.95    | 1.06 | V       |
| $V_{CS/FB3}$                          | Burst Off Threshold Voltage                | $T_A = 25^{\circ}C$                           | 0.77 | 0.88    | 0.99 | V       |
| <b>Power Limit Section</b>            |                                            |                                               |      |         |      |         |
| $K_{Plimit}$                          | Offset Gain                                | $V_{Latch/Plimit} = 2V$ , $T_A = 25^{\circ}C$ | 0.12 | 0.16    | 0.20 |         |
| <b>Output Section</b>                 |                                            |                                               |      |         |      |         |
| $V_{OH}$                              | Output Voltage High                        | $T_A = 25^{\circ}C$ , $I_{source} = 100mA$    | 11.5 | 12.0    | 14.0 | V       |
| $V_{OL}$                              | Output Voltage Low                         | $T_A = 25^{\circ}C$ , $I_{sink} = 100mA$      |      | 1.0     | 2.5  | V       |
| $t_R$                                 | Rising Time <sup>(2)</sup>                 | $T_A = 25^{\circ}C$ , $C_L = 1nF$             |      | 45      | 150  | ns      |
| $t_F$                                 | Falling Time <sup>(2)</sup>                | $T_A = 25^{\circ}C$ , $C_L = 1nF$             |      | 35      | 150  | ns      |

Continued on the following page...

**Electrical Characteristics** (Continued)

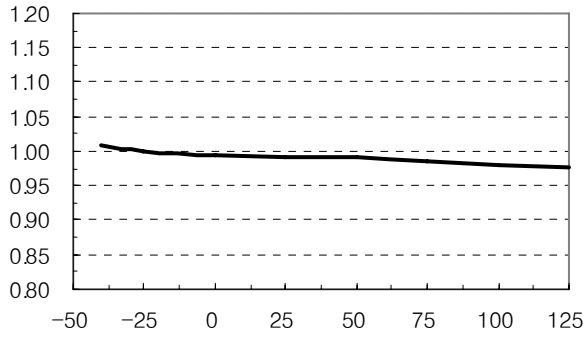
$V_{CC} = 14V$ ,  $T_A = -25^{\circ}C \sim 125^{\circ}C$ , unless otherwise specified.

| Symbol                    | Parameter                               | Condition           | Min. | Typ. | Max. | Unit        |
|---------------------------|-----------------------------------------|---------------------|------|------|------|-------------|
| <b>Protection Section</b> |                                         |                     |      |      |      |             |
| $V_{LATCH}$               | Latch Voltage                           |                     | 3.6  | 4.0  | 4.4  | V           |
| $t_{OLP}$                 | Overload Protection Time <sup>(2)</sup> |                     | 20   | 22   | 24   | ms          |
| $t_{OLP\_ST}$             | Overload Protection Time at Startup     |                     | 30   | 37   | 44   | ms          |
| $V_{OLP}$                 | Overload Protection Level               |                     |      | 0    | 0.1  | V           |
| $V_{LUVPOff}$             | Line Under-Voltage Protection On to Off | $T_A = 25^{\circ}C$ | 1.9  | 2.0  | 2.1  | V           |
| $V_{LUVPOn}$              | Line Under-Voltage Protection Off to On | $T_A = 25^{\circ}C$ | 1.4  | 1.5  | 1.6  | V           |
| $V_{OVP}$                 | Over-Voltage Protection                 | $T_A = 25^{\circ}C$ | 18   | 19   | 20   | V           |
| $T_{SD}$                  | Shutdown Temperature <sup>(2)</sup>     |                     |      | 170  |      | $^{\circ}C$ |
| HYS                       |                                         |                     |      | 60   |      | $^{\circ}C$ |

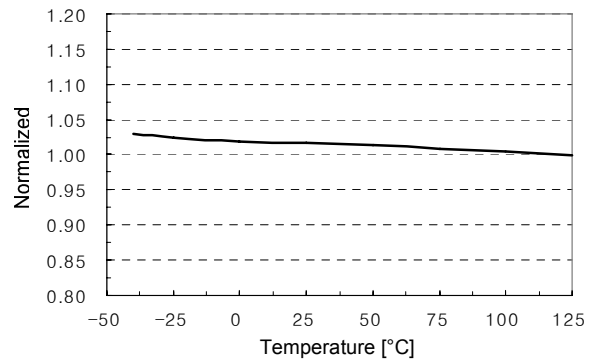
**Note:**

- These parameters, although guaranteed, are not 100% tested in production.

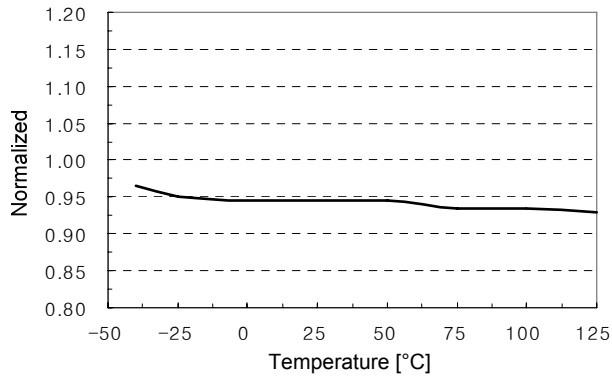
## Typical Performance Characteristics



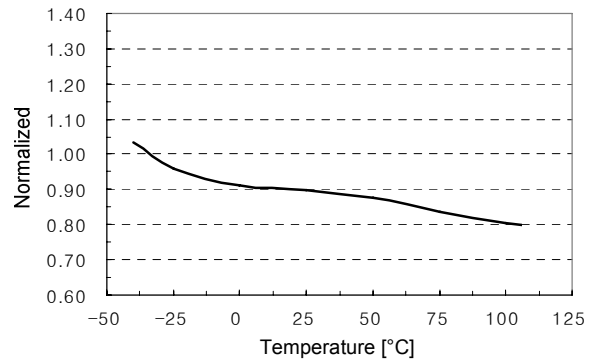
**Figure 4. Start Threshold Voltage vs. Temperature**



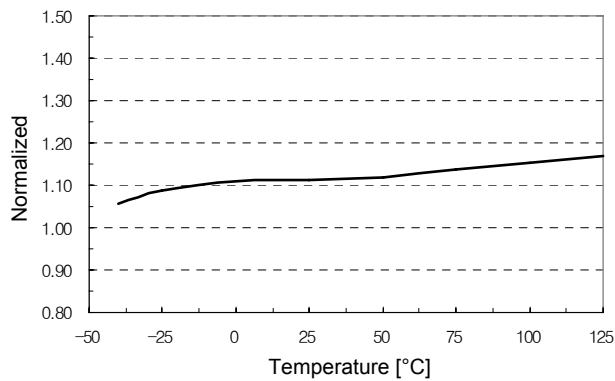
**Figure 5. Stop Threshold Voltage vs. Temperature**



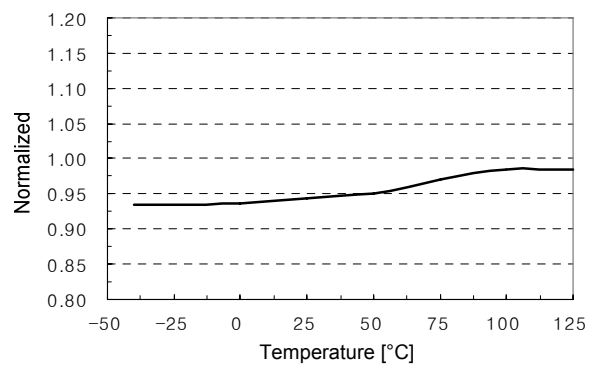
**Figure 6. UVLO Hysteresis vs. Temperature**



**Figure 7. Startup Threshold Current vs. Temperature**

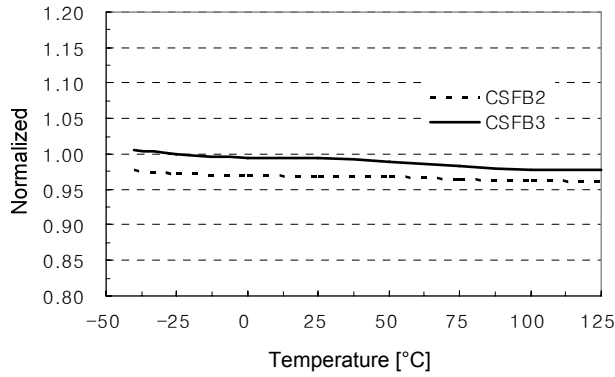


**Figure 8. Operating Supply Current vs. Temperature**

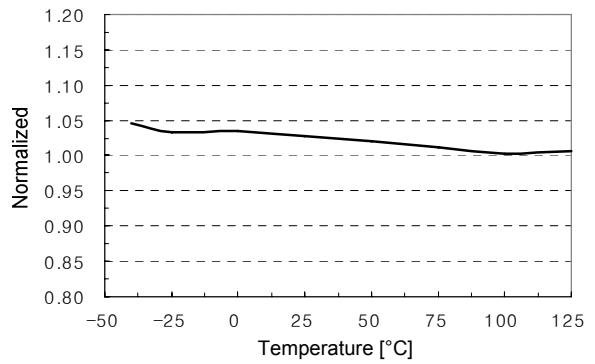


**Figure 9.  $V_{STR}$  Startup Current vs. Temperature**

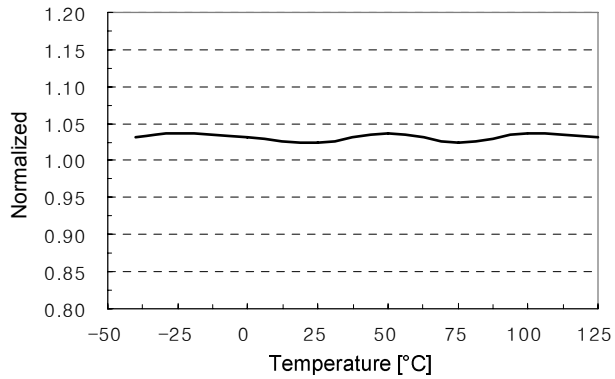
**Typical Performance Characteristics** (Continued).



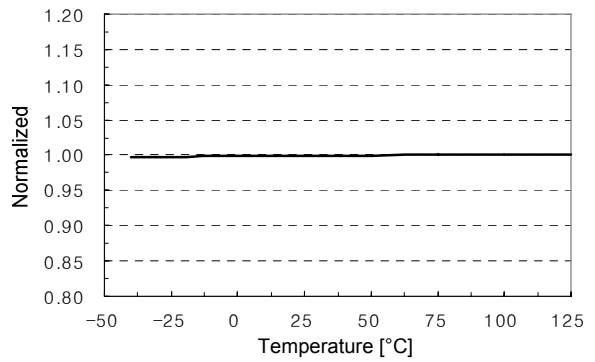
**Figure 10. Burst On/Off Voltage vs. Temperature**



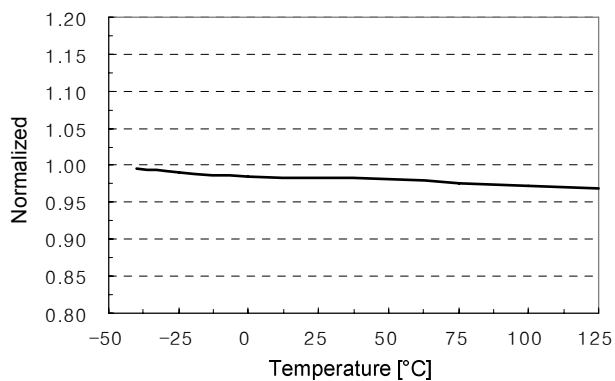
**Figure 11. Operating Frequency vs. Temperature**



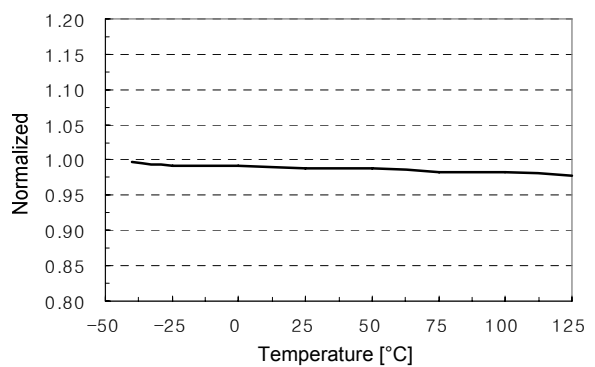
**Figure 12. Offset Gain vs. Temperature**



**Figure 13. Maximum Duty Cycle vs. Temperature**



**Figure 14. OVP Voltage vs. Temperature**



**Figure 15. Latch Voltage vs. Temperature**



Typical Performance Characteristics (Continued)

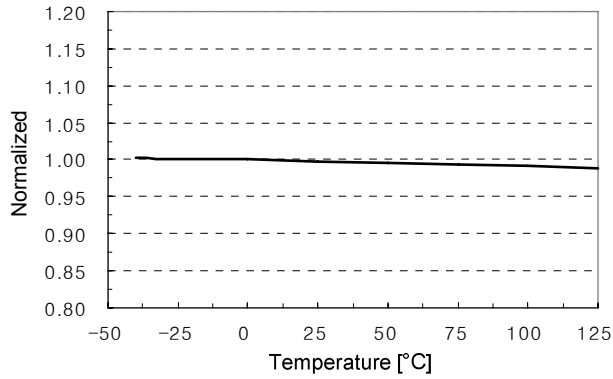


Figure 16. LUVP On-to-Off Voltage vs. Temperature

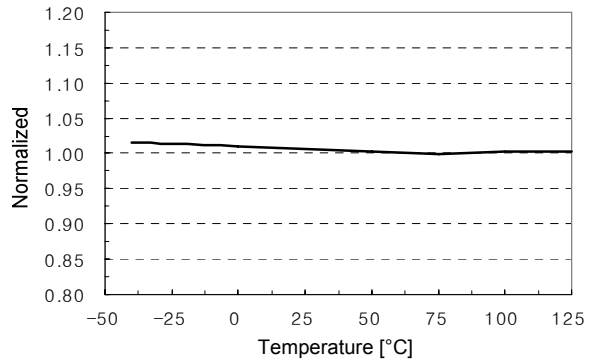


Figure 17. LUVP Off-to-On Voltage vs. Temperature

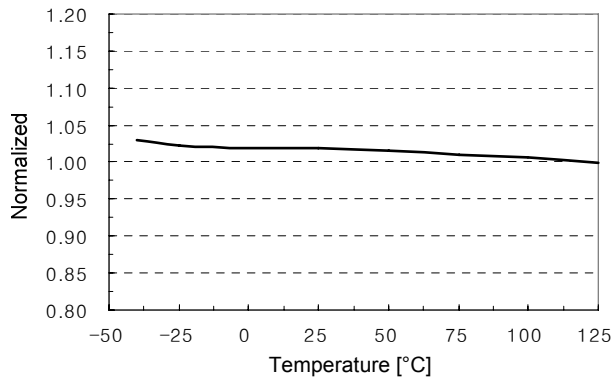


Figure 18. CS/FB Threshold Voltage vs. Temperature

## Application Information

### 1. Startup Circuit and Soft-Start Block

The FAN7602C contains a startup switch to reduce the power loss of the external startup circuit of the conventional PWM converters. The internal startup circuit charges the  $V_{CC}$  capacitor with 0.9mA current source if the AC line is connected. The startup switch is turned off 15ms after IC starts up, as shown in Figure 19. The soft-start function starts when the  $V_{CC}$  voltage reaches the start threshold voltage of 12V and ends when the internal soft-start voltage reaches 1V. The internal startup circuit starts charging the  $V_{CC}$  capacitor again if the  $V_{CC}$  voltage is lowered to the minimum operating voltage, 8V. The UVLO block shuts down the output drive circuit and some blocks to reduce the IC operating current and the internal soft-start voltage drops to zero. If the  $V_{CC}$  voltage reaches the start threshold voltage, the IC starts switching again and the soft-start block works as well.

During the soft-start, pulse-width modulated (PWM) comparator compares the CS/FB pin voltage with the soft-start voltage. The soft-start voltage starts from 0.5V and the soft-start ends when it reaches 1V and the soft-start time is 10ms. The startup switch is turned off when the soft-start voltage reaches 1.3V.

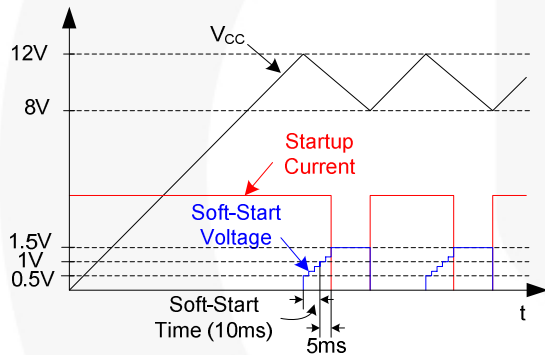


Figure 19. Startup Current and  $V_{CC}$  Voltage

### 2. Oscillator Block

The oscillator frequency is set internally and FAN7602C has a random frequency fluctuation function.

Fluctuation of the switching frequency of a switched power supply can reduce EMI by spreading the energy over a wider frequency range than the bandwidth measured by the EMI test equipment. The amount of EMI reduction is directly related to the range of the frequency variation. The range of frequency variation is fixed internally; however, its selection is randomly chosen by the combination of external feedback voltage and internal free-running oscillator. This randomly chosen switching frequency effectively spreads the EMI noise nearby switching frequency and allows the use of a cost-effective inductor instead of an AC input line filter to satisfy the world-wide EMI requirements.

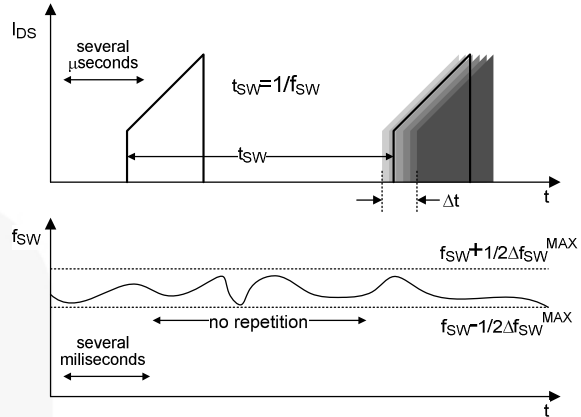


Figure 20. Frequency Fluctuation Waveform

### 3. Current Sense and Feedback Block

The FAN7602C performs the current sensing for the current mode PWM and the output voltage feedback with only one pin, pin 3. To achieve the two functions with one pin, an internal LEB (leading-edge blanking) circuit to filter the current sense noise is not included because the external RC filter is necessary to add the output voltage feedback information and the current sense information.

Figure 21 shows the current sense and feedback circuits.  $R_S$  is the current sense resistor to sense the switch current. The current sense information is filtered by an RC filter composed of  $R_F$  and  $C_F$ . According to the output voltage feedback information,  $I_{FB}$  charges or stops charging  $C_F$  to adjust the offset voltage. If  $I_{FB}$  is zero,  $C_F$  is discharged through  $R_F$  and  $R_S$  to lower the offset voltage.

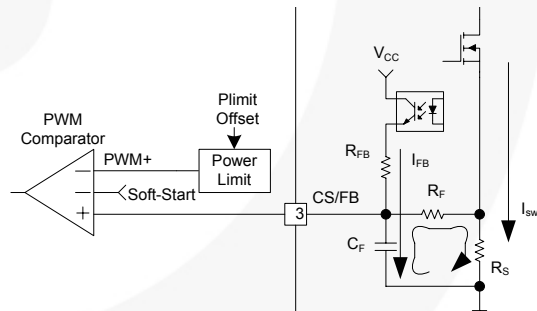
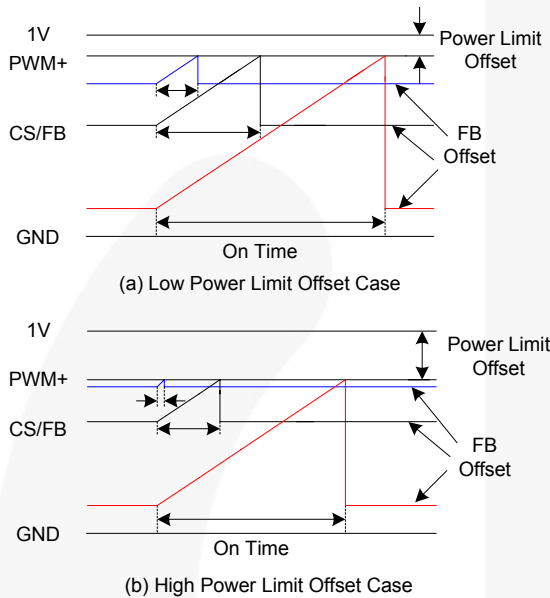


Figure 21. Current Sense and Feedback Circuits

Figure 22 shows typical voltage waveforms of the CS/FB pin. The current sense waveform is added to the offset voltage, as shown in the Figure 22. The CS/FB pin voltage is compared with PWM that is 1V - Plimit offset. If the CS/FB voltage meets PWM+, the output drive is shut off. If the feedback offset voltage is LOW, the switch on-time is increased. If the feedback offset voltage is HIGH, the switch on-time is decreased. In this way, the duty cycle is controlled according to the output load condition. Generally, the maximum output power increases as input voltage increases because the current slope during switch on-time increases.

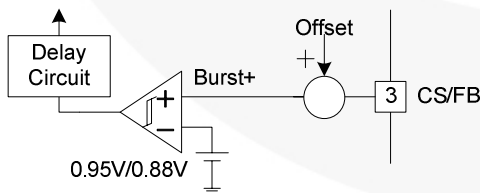
To limit the output power of the converter constantly, the power limit function is included in FAN7602C. Sensing the converter input voltage through the Latch/Plimit pin, the Plimit offset voltage is subtracted from 1V. As shown in Figure 22, the Plimit offset voltage is subtracted from 1V and the switch on-time decreases as the Plimit offset voltage increases. If the converter input voltage increases, the switch on-time decreases, keeping the output power constant. The offset voltage is proportional to the Latch/Plimit pin voltage and the gain is 0.16. If the Latch/Plimit voltage is 1V, the offset voltage is 0.16V.



**Figure 22. CS/FB Pin Voltage Waveforms**

#### 4. Burst Mode Block

The FAN7602C contains the burst-mode block to reduce the power loss at a light load and no load. A hysteresis comparator senses the offset voltage of the Burst+ for the burst mode, as shown in Figure 23. The Burst+ is the sum of the CS/FB voltage and Plimit offset voltage. The FAN7602C enters the burst mode when the offset voltage of the Burst+ is higher than 0.95V and exits the burst mode when the offset voltage is lower than 0.88V. The offset voltage is sensed during the switch off time.



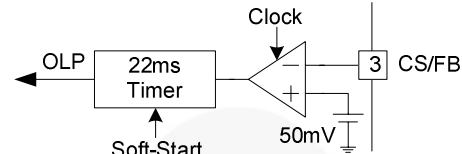
**Figure 23. Burst Mode Block**

#### 5. Protection Block

The FAN7602C contains several protection functions to improve system reliability.

#### 5.1 Overload Protection (OLP)

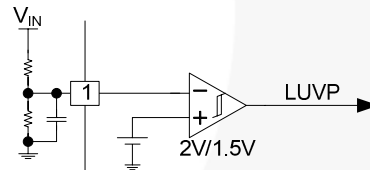
The FAN7602C contains the overload protection function. If the output load is higher than the rated output current, the output voltage drops and the feedback error amplifier is saturated. The offset of the CS/FB voltage representing the feedback information is almost zero. As shown in Figure 24, the CS/FB voltage is compared with 50mV reference when the internal clock signal is HIGH and, if the voltage is lower than 50mV, the OLP timer starts counting. If the OLP condition persists for 22ms, the timer generates the OLP signal. The protection is reset by the UVLO. The OLP block is enabled after the soft-start finishes.



**Figure 24. Overload Protection Circuit**

#### 5.2 Line Under-Voltage Protection

If the input voltage of the converter is lower than the minimum operating voltage, the converter input current increases too much, causing components failure. Therefore, if the input voltage is LOW, the converter should be protected. The LUVP circuit senses the input voltage using the LUVP pin and, if this voltage is lower than 2V, the LUVP signal is generated. The comparator has 0.5V hysteresis. If the LUVP signal is generated, the output drive block is shut down, the output voltage feedback loop is saturated, and the OLP works if the LUVP condition persists more than 22ms.



**Figure 25. Line UVP Circuit**

#### 5.3 Latch Protection

The latch protection is provided to protect the system against abnormal conditions using the Latch/Plimit pin. The Latch/Plimit pin can be used for the output over-voltage protection and/or other protections. If the Latch/Plimit pin voltage is made higher than 4V by an external circuit, the IC is shut down. The latch protection is reset when the  $V_{CC}$  voltage is lower than 5V.

#### 5.4 Over-Voltage Protection (OVP)

If the  $V_{CC}$  voltage reaches 19V, the IC shuts down and the OVP protection is reset when the  $V_{CC}$  voltage is lower than 5V.

#### 6. Output Drive Block

The FAN7602C contains a single totem-pole output stage to drive a power MOSFET. The drive output is capable of up to 450mA sourcing current and 600mA sinking current with typical rise and fall time of 45ns and 35ns, respectively, with a 1nF load.

## Typical Application Circuit

| Application | Output Power | Input Voltage                                  | Output Voltage |
|-------------|--------------|------------------------------------------------|----------------|
| Adaptor     | 48W          | Universal input<br>(85 ~ 265 V <sub>AC</sub> ) | 12V            |

### Features

- Low stand-by power (<0.15W at 265 V<sub>AC</sub>)
- Constant output power control

### Key Design Notes

- All the IC-related components should be placed close to IC, especially C107 and C110.
- If R106 value is too low, there can be subharmonic oscillation.
- R109 should be designed carefully to make the V<sub>CC</sub> voltage higher than 8V when the input voltage is 265 V<sub>AC</sub> at no load.
- R110 should be designed carefully to make the V<sub>CC</sub> voltage lower than OVP level when the input voltage is 85 V<sub>AC</sub> at full load.
- R103 should be designed to keep the MOSFET V<sub>ds</sub> voltage lower than maximum rating when the output is shorted.



### 1. Schematic

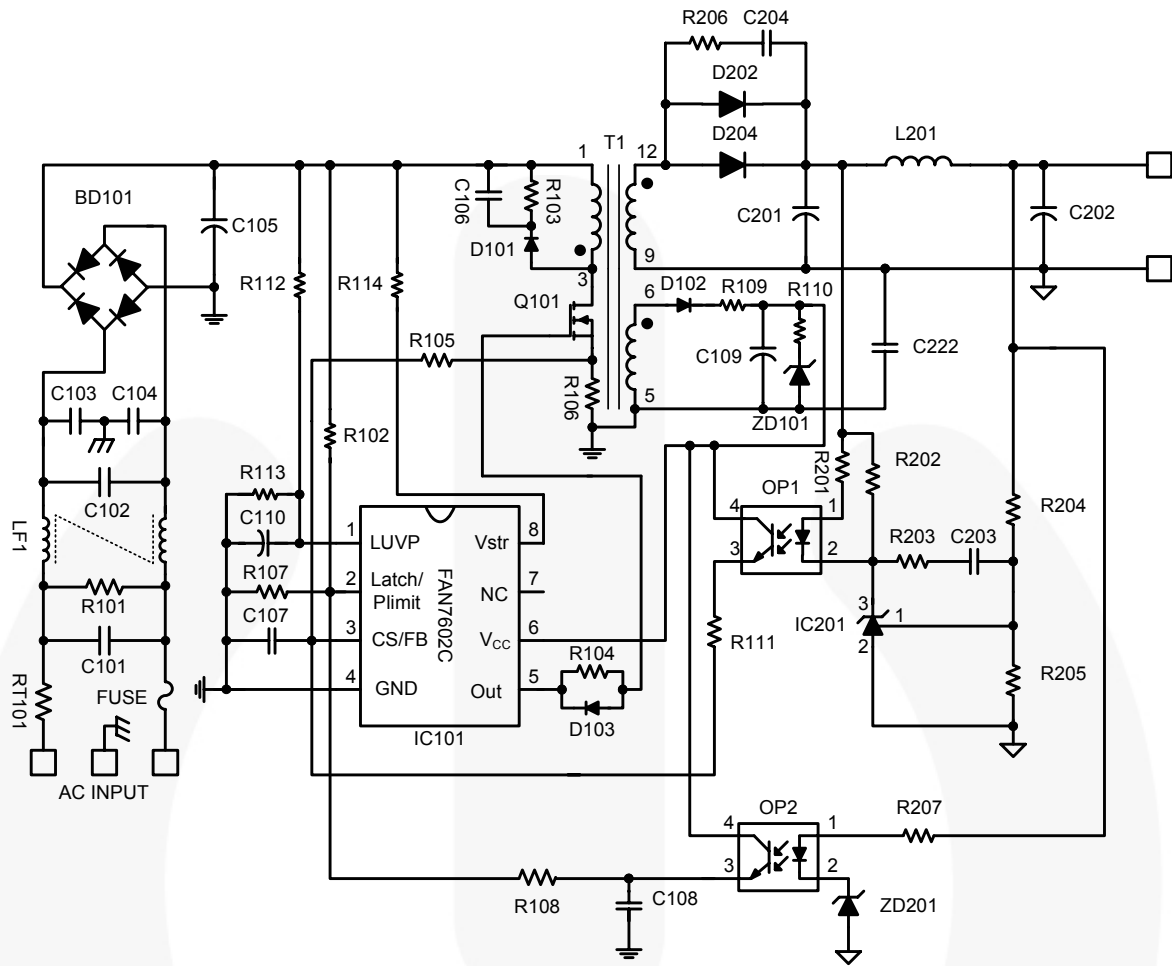


Figure 26. Schematic

### 2. Inductor Schematic Diagram

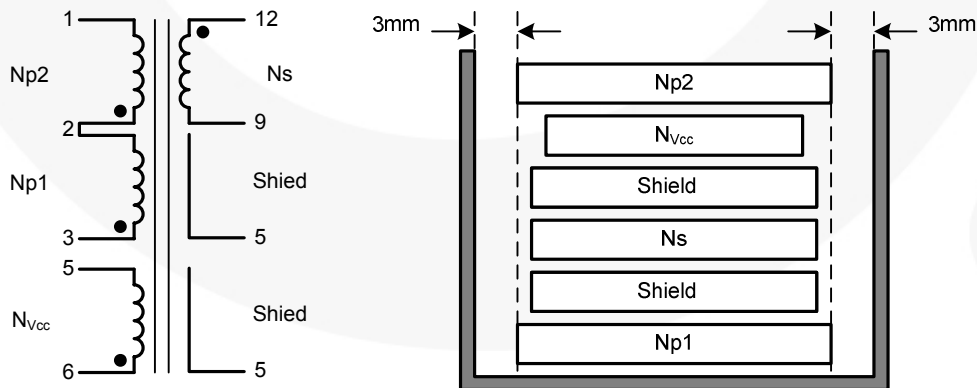


Figure 27. Inductor Schematic Diagram

### 3. Winding Specification

| No                                                    | Pin ( s → f ) | Wire                  | Turns | Winding Method   |
|-------------------------------------------------------|---------------|-----------------------|-------|------------------|
| N <sub>p1</sub>                                       | 3 → 2         | 0.3 <sup>ϕ</sup> x 2  | 31    | Solenoid Winding |
| Insulation: Polyester Tape t = 0.03mm, 2 Layers       |               |                       |       |                  |
| Shield                                                | 5             | Copper Tape           | 0.9   | Not Shorted      |
| Insulation: Polyester Tape t = 0.03mm, 2 Layers       |               |                       |       |                  |
| N <sub>s</sub>                                        | 12 → 9        | 0.65 <sup>ϕ</sup> x 3 | 10    | Solenoid Winding |
| Insulation: Polyester Tape t = 0.03mm, 2 Layers       |               |                       |       |                  |
| Shield                                                | 5             | Copper Tape           | 0.9   | Not Shorted      |
| Insulation: Polyester Tape t = 0.03mm, 2 Layers       |               |                       |       |                  |
| N <sub>Vcc</sub>                                      | 6 → 5         | 0.2 <sup>ϕ</sup> x 1  | 10    | Solenoid Winding |
| Insulation: Polyester Tape t = 0.03mm, 2 Layers       |               |                       |       |                  |
| N <sub>p2</sub>                                       | 2 → 1         | 0.3 <sup>ϕ</sup> x 2  | 31    | Solenoid Winding |
| Outer Insulation: Polyester Tape t = 0.03mm, 2 Layers |               |                       |       |                  |

### 4. Electrical Characteristics

|            | Pin   | Specification | Remarks        |
|------------|-------|---------------|----------------|
| Inductance | 1 - 3 | 607 $\mu$ H   | 100kHz, 1V     |
| Inductance | 1 - 3 | 15 $\mu$ H    | 9 - 12 shorted |

### 5. Core & Bobbin

- Core: EER2828
- Bobbin: EER2828
- Ae(mm<sup>2</sup>): 82.1



## 6. Demo Circuit Part List

| Part            | Value         | Note      | Part             | Value              | Note          |
|-----------------|---------------|-----------|------------------|--------------------|---------------|
| <b>Fuse</b>     |               |           | <b>Capacitor</b> |                    |               |
| FUSE            | 1 A/250 V     |           | C101             | 220nF / 275V       | Box Capacitor |
| <b>NTC</b>      |               |           | C102             | 150nF / 275V       | Box Capacitor |
| RT101           | 5D-9          |           | C103, C104       | 102 / 1kV          | Ceramic       |
| <b>Resistor</b> |               |           | C105             | 150 $\mu$ F / 400V | Electrolytic  |
| R102, R112      | 10M $\Omega$  | 1/4W      | C106             | 103 / 630V         | Film          |
| R103            | 56k $\Omega$  | 1/2W      | C107             | 271                | Ceramic       |
| R104            | 150 $\Omega$  | 1/4W      | C108             | 103                | Ceramic       |
| R105            | 1k $\Omega$   | 1/4W      | C109             | 22 $\mu$ F / 25V   | Electrolytic  |
| R106            | 0.5 $\Omega$  | 1/2W      | C110             | 473                | Ceramic       |
| R107            | 56k $\Omega$  | 1/4W      | C201, C202       | 1000 $\mu$ F / 25V | Electrolytic  |
| R108            | 10k $\Omega$  | 1/4W      | C203             | 102                | Ceramic       |
| R109            | 0 $\Omega$    | 1/4W      | C204             | 102                | Ceramic       |
| R110            | 1k $\Omega$   | 1/4W      | C222             | 222 / 1kV          | Ceramic       |
| R111            | 6k $\Omega$   | 1/4W      | <b>MOSFET</b>    |                    |               |
| R113            | 180k $\Omega$ | 1/4W      | Q101             | FQPF8N60C          | Fairchild     |
| R114            | 50k $\Omega$  | 1/4W      | <b>Diode</b>     |                    |               |
| R201            | 1.5k $\Omega$ | 1/4W      | D101, D102       | UF4007             | Fairchild     |
| R202            | 1.2k $\Omega$ | 1/4W      | D103             | 1N5819             | Fairchild     |
| R203            | 20k $\Omega$  | 1/4W      | D202, D204       | FYPF2010DN         | Fairchild     |
| R204            | 27k $\Omega$  | 1/4W      | ZD101, ZD201     | 1N4744             | Fairchild     |
| R205            | 7k $\Omega$   | 1/4W      | BD101            | KBP06              | Fairchild     |
| R206            | 10 $\Omega$   | 1/2W      | <b>TNR</b>       |                    |               |
| R207            | 10k $\Omega$  | 1/4W      | R101             | 471                | 470V          |
| <b>IC</b>       |               |           | <b>Filter</b>    |                    |               |
| IC101           | FAN7602C      | Fairchild | LF101            | 23mH               | 0.8A          |
| IC201           | KA431         | Fairchild | L201             | 10 $\mu$ H         | 4.2A          |
| OP1, OP2        | H11A817B      | Fairchild |                  |                    |               |

## 7. PCB Layout

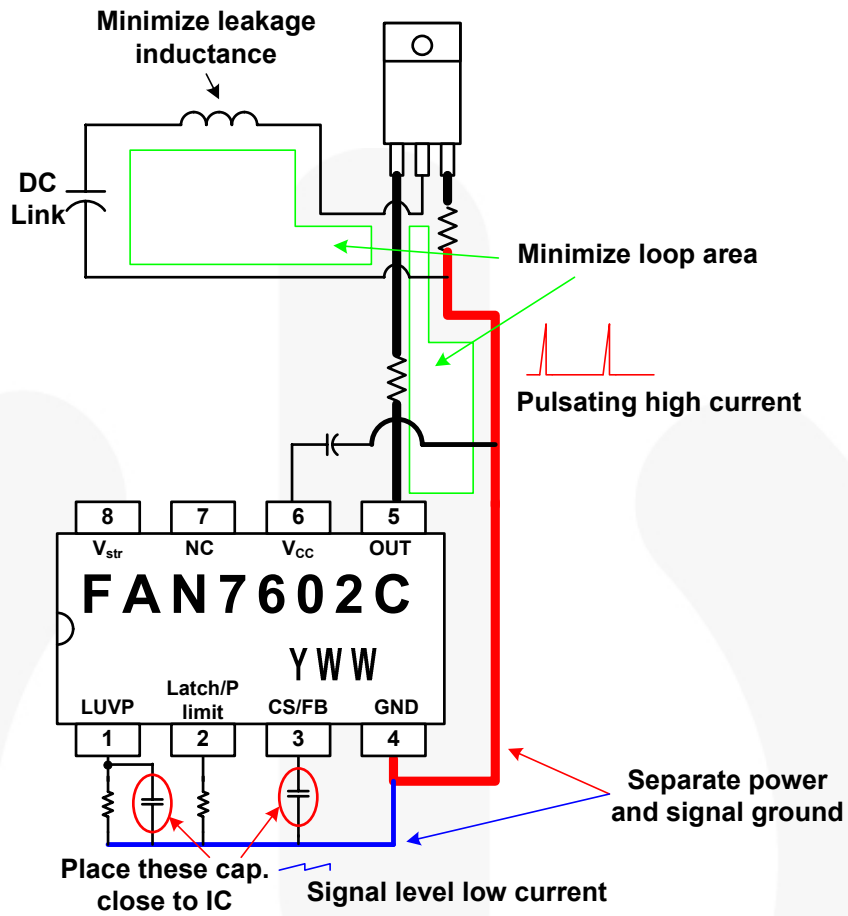


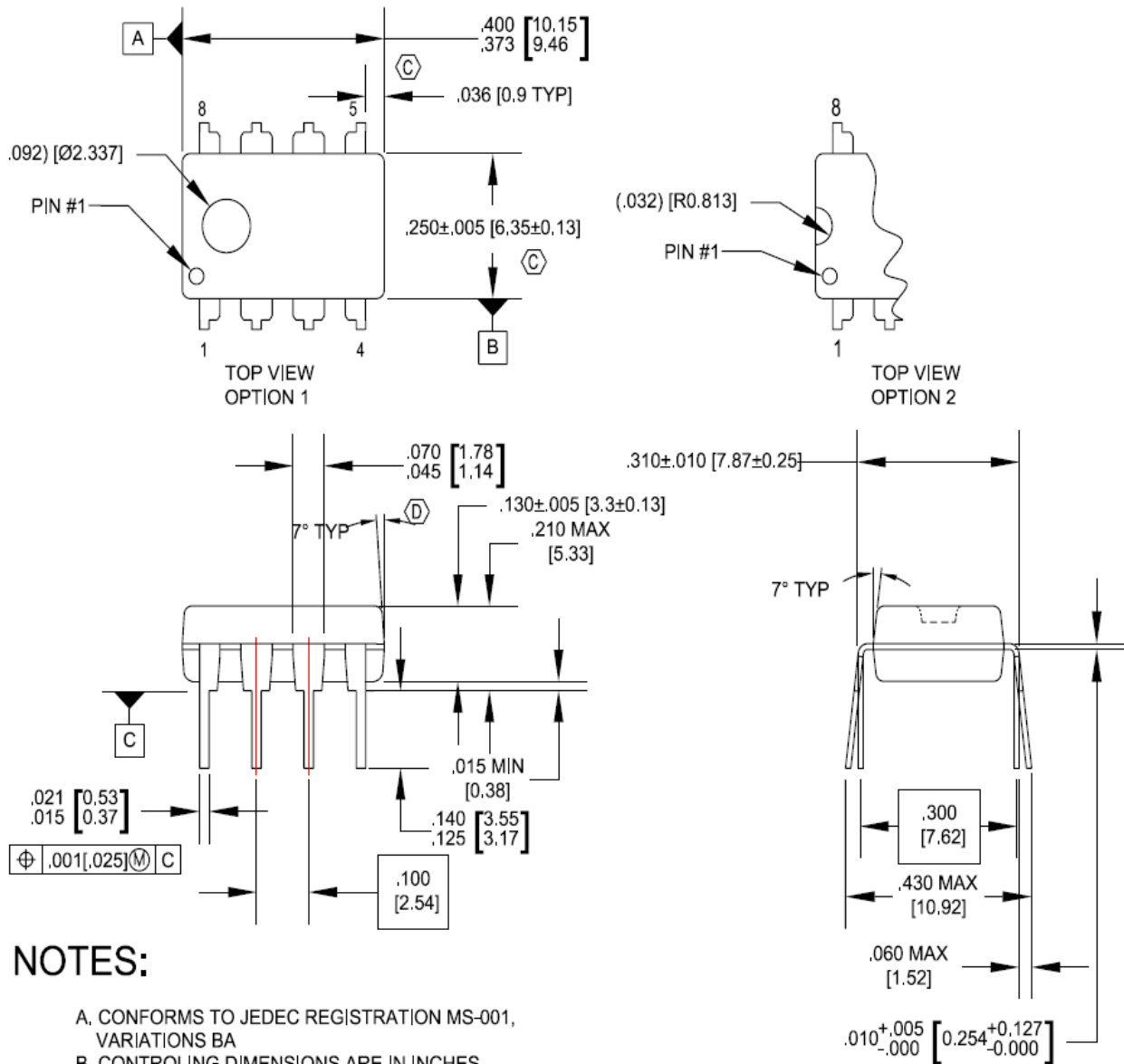
Figure 28. PCB Layout Recommendations

## 8. Performance Data

|                          | 85V <sub>AC</sub> | 110V <sub>AC</sub> | 220V <sub>AC</sub> | 265V <sub>AC</sub> |
|--------------------------|-------------------|--------------------|--------------------|--------------------|
| Input Power at No Load   | 72mW              | 76mW               | 92mW               | 107mW              |
| Input Power at 0.5W Load | 760mW             | 760mW              | 785mW              | 805mW              |
| OLP Point                | 4.73A             | 5.07A              | 5.11A              | 4.91A              |



### Physical Dimensions



### NOTES:

- A. CONFORMS TO JEDEC REGISTRATION MS-001, VARIATIONS BA
- B. CONTROLLING DIMENSIONS ARE IN INCHES  
REFERENCE DIMENSIONS ARE IN MILLIMETERS
- C. DOES NOT INCLUDE MOLD FLASH OR PROTRUSIONS.  
MOLD FLASH OR PROTRUSIONS SHALL NOT EXCEED  
.010 INCHES OR 0.25MM.
- D. DOES NOT INCLUDE DAMBAR PROTRUSIONS.  
DAMBAR PROTRUSIONS SHALL NOT EXCEED  
.010 INCHES OR 0.25MM.
- E. DIMENSIONING AND TOLERANCING  
PER ASME Y14.5M-1994.

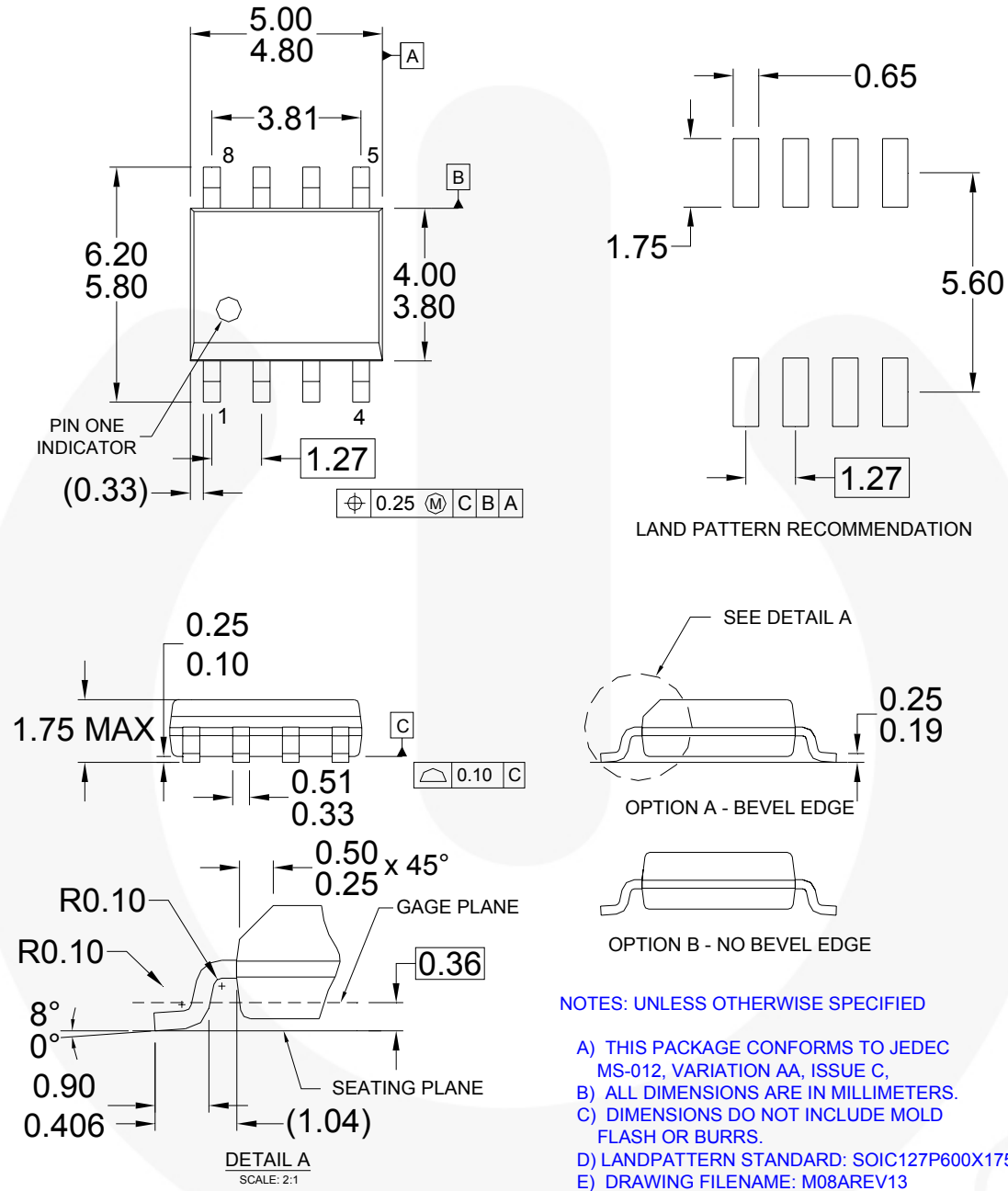
**N08EREVG**

**Figure 29. 8-Lead Dual In-Line Package (DIP)**

Package drawings are provided as a service to customers considering Fairchild components. Drawings may change in any manner without notice. Please note the revision and/or date on the drawing and contact a Fairchild Semiconductor representative to verify or obtain the most recent revision. Package specifications do not expand the terms of Fairchild's worldwide terms and conditions, specifically the warranty therein, which covers Fairchild products.

Always visit Fairchild Semiconductor's online packaging area for the most recent package drawings:  
<http://www.fairchildsemi.com/packaging/>

**Physical Dimensions** (Continued)



**Figure 30. 8-Lead Small Outline Package (SOP)**

Package drawings are provided as a service to customers considering Fairchild components. Drawings may change in any manner without notice. Please note the revision and/or date on the drawing and contact a Fairchild Semiconductor representative to verify or obtain the most recent revision. Package specifications do not expand the terms of Fairchild's worldwide terms and conditions, specifically the warranty therein, which covers Fairchild products.

Always visit Fairchild Semiconductor's online packaging area for the most recent package drawings:  
<http://www.fairchildsemi.com/packaging/>.



**TRADEMARKS**

The following includes registered and unregistered trademarks and service marks, owned by Fairchild Semiconductor and/or its global subsidiaries, and is not intended to be an exhaustive list of all such trademarks.

- |                          |                        |                                    |                      |
|--------------------------|------------------------|------------------------------------|----------------------|
| Auto-SPM™                | F-PFST™                | PowerTrench®                       | The Power Franchise® |
| Build it Now™            | FRFET®                 | PowerXS™                           |                      |
| CorePLUS™                | Global Power Resource™ | Programmable Active Droop™         | TinyBoost™           |
| CorePOWER™               | Green FPS™             | QFET®                              | TinyBuck™            |
| CROSSVOLT™               | Green FPS™ e-Series™   | QST™                               | TinyLogic®           |
| CTL™                     | Gmax™                  | Quiet Series™                      | TINYOPTO™            |
| Current Transfer Logic™  | GTO™                   | RapidConfigure™                    | TinyPower™           |
| EcoSPARK®                | IntelliMAX™            |                                    | TinyPWM™             |
| EfficientMax™            | ISOPLANAR™             | Saving our world, 1mW/W at a time™ | TinyWire™            |
| EZSWTCH™                 | MegaBuck™              | SmartMax™                          | TriFault Detect™     |
|                          | MICROCOUPLER™          | SMART START™                       | TRUECURRENT™         |
|                          | MicroFET™              | SPM®                               | μSerDes™             |
| Fairchild®               | MicroPak™              | STEALTH™                           |                      |
| Fairchild Semiconductor® | MillerDrive™           | SuperFET™                          | UHC®                 |
| FACT Quiet Series™       | MotionMax™             | SuperSOT™-3                        | Ultra FRFET™         |
| FACT®                    | Motion-SPM™            | SuperSOT™-6                        | UniFET™              |
| FAST®                    | OPTOLOGIC®             | SuperSOT™-8                        | VCX™                 |
| FastvCore™               | OPTOPLANAR®            | SupreMOS™                          | VisualMax™           |
| FETBench™                |                        | SyncFET™                           | XST™                 |
| FlashWriter®             | PDP SPM™               | Sync-LOCK™                         |                      |
| FPS™                     | Power-SPM™             |                                    |                      |

\* Trademarks of System General Corporation, used under license by Fairchild Semiconductor.

**DISCLAIMER**

FAIRCHILD SEMICONDUCTOR RESERVES THE RIGHT TO MAKE CHANGES WITHOUT FURTHER NOTICE TO ANY PRODUCTS HEREIN TO IMPROVE RELIABILITY, FUNCTION, OR DESIGN. FAIRCHILD DOES NOT ASSUME ANY LIABILITY ARISING OUT OF THE APPLICATION OR USE OF ANY PRODUCT OR CIRCUIT DESCRIBED HEREIN; NEITHER DOES IT CONVEY ANY LICENSE UNDER ITS PATENT RIGHTS, NOR THE RIGHTS OF OTHERS. THESE SPECIFICATIONS DO NOT EXPAND THE TERMS OF FAIRCHILD'S WORLDWIDE TERMS AND CONDITIONS, SPECIFICALLY THE WARRANTY THEREIN, WHICH COVERS THESE PRODUCTS.

**LIFE SUPPORT POLICY**

FAIRCHILD'S PRODUCTS ARE NOT AUTHORIZED FOR USE AS CRITICAL COMPONENTS IN LIFE SUPPORT DEVICES OR SYSTEMS WITHOUT THE EXPRESS WRITTEN APPROVAL OF FAIRCHILD SEMICONDUCTOR CORPORATION.

As used herein:

1. Life support devices or systems are devices or systems which, (a) are intended for surgical implant into the body or (b) support or sustain life, and (c) whose failure to perform when properly used in accordance with instructions for use provided in the labeling, can be reasonably expected to result in a significant injury of the user.
2. A critical component in any component of a life support, device, or system whose failure to perform can be reasonably expected to cause the failure of the life support device or system, or to affect its safety or effectiveness.

**ANTI-COUNTERFEITING POLICY**

Fairchild Semiconductor Corporation's Anti-Counterfeiting Policy. Fairchild's Anti-Counterfeiting Policy is also stated on our external website, [www.fairchildsemi.com](http://www.fairchildsemi.com), under Sales Support.

Counterfeiting of semiconductor parts is a growing problem in the industry. All manufacturers of semiconductor products are experiencing counterfeiting of their parts. Customers who inadvertently purchase counterfeit parts experience many problems such as loss of brand reputation, substandard performance, failed applications, and increased cost of production and manufacturing delays. Fairchild is taking strong measures to protect ourselves and our customers from the proliferation of counterfeit parts. Fairchild strongly encourages customers to purchase Fairchild parts either directly from Fairchild or from Authorized Fairchild Distributors who are listed by country on our web page cited above. Products customers buy either from Fairchild directly or from Authorized Fairchild Distributors are genuine parts, have full traceability, meet Fairchild's quality standards for handling and storage and provide access to Fairchild's full range of up-to-date technical and product information. Fairchild and our Authorized Distributors will stand behind all warranties and will appropriately address any warranty issues that may arise. Fairchild will not provide any warranty coverage or other assistance for parts bought from Unauthorized Sources. Fairchild is committed to combat this global problem and encourage our customers to do their part in stopping this practice by buying direct or from authorized distributors.

**PRODUCT STATUS DEFINITIONS**

**Definition of Terms**

| Datasheet Identification | Product Status        | Definition                                                                                                                                                                                          |
|--------------------------|-----------------------|-----------------------------------------------------------------------------------------------------------------------------------------------------------------------------------------------------|
| Advance Information      | Formative / In Design | Datasheet contains the design specifications for product development. Specifications may change in any manner without notice.                                                                       |
| Preliminary              | First Production      | Datasheet contains preliminary data; supplementary data will be published at a later date. Fairchild Semiconductor reserves the right to make changes at any time without notice to improve design. |
| No Identification Needed | Full Production       | Datasheet contains final specifications. Fairchild Semiconductor reserves the right to make changes at any time without notice to improve the design.                                               |
| Obsolete                 | Not In Production     | Datasheet contains specifications on a product that is discontinued by Fairchild Semiconductor. The datasheet is for reference information only.                                                    |

Rev. 140